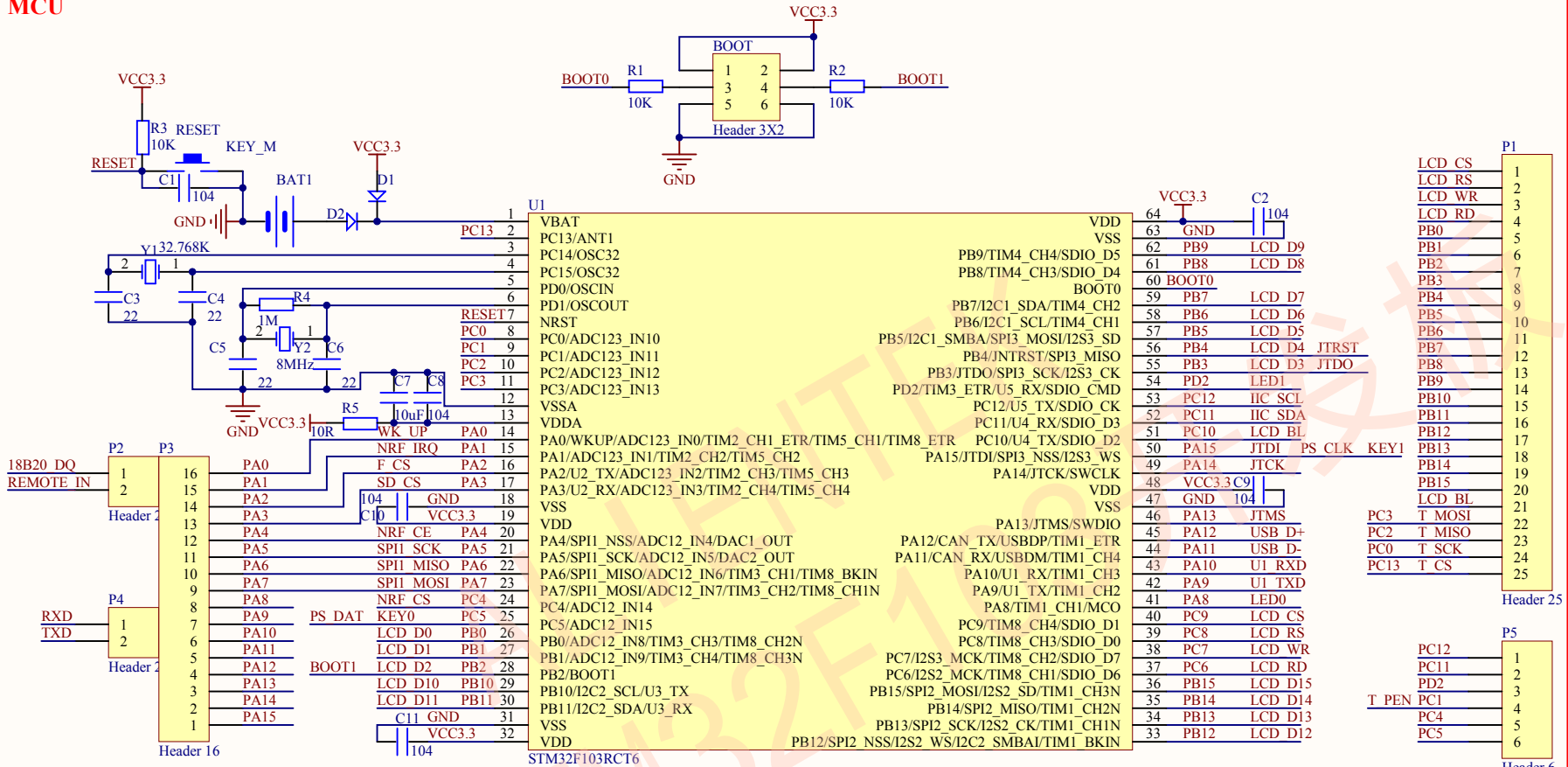
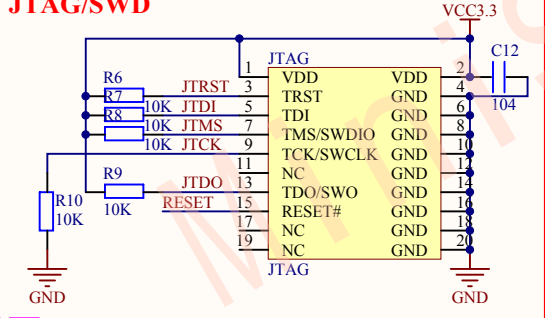


### MCU



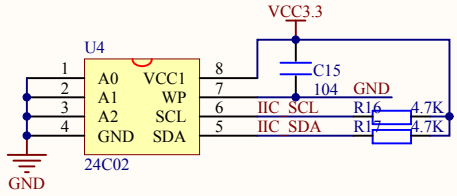
### JTAG/SWD



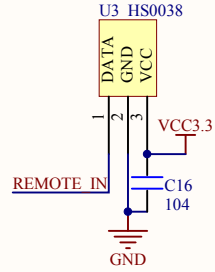
Title: ALIENTEK MiniSTM32 CORE	
Author: ATOM@ALIENTEK	Size: A4
Date: 2015/7/28	File: CORE.SchDoc
Revision: 0	Version: V3.3



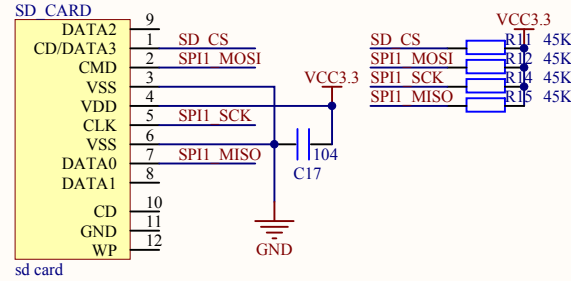
### EEPROM



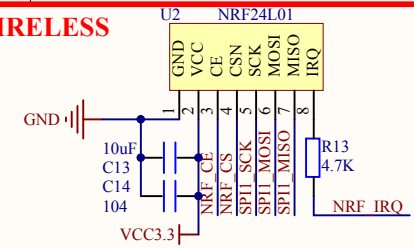
### REMOTE



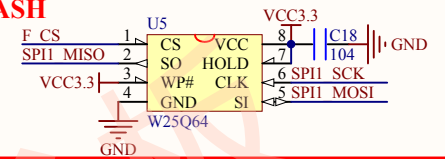
### SD\_CARD



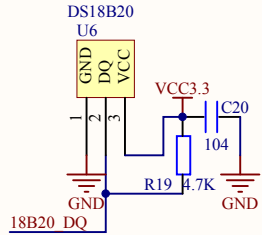
### WIRELESS



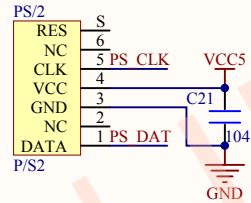
### SPI FLASH



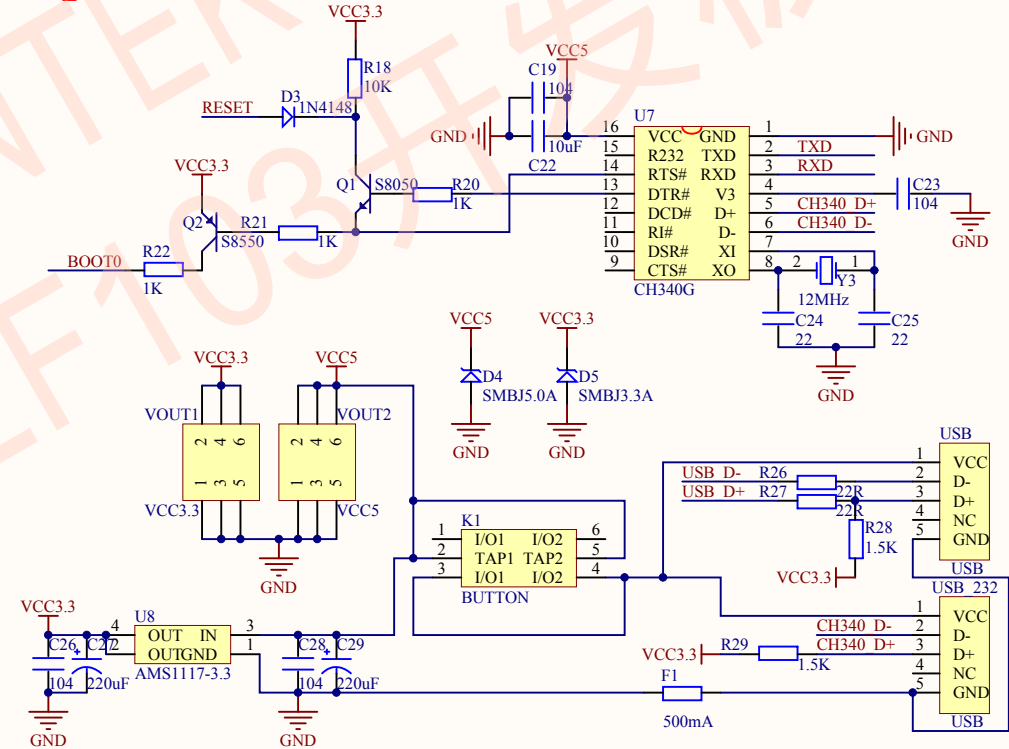
### TEMPERATURE



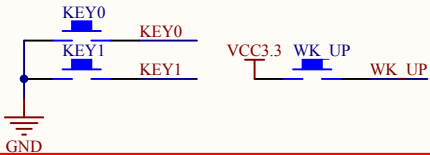
### PS/2



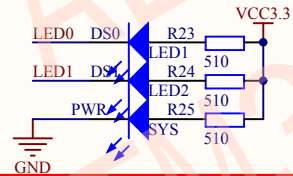
### USB\_232/USB/POWER



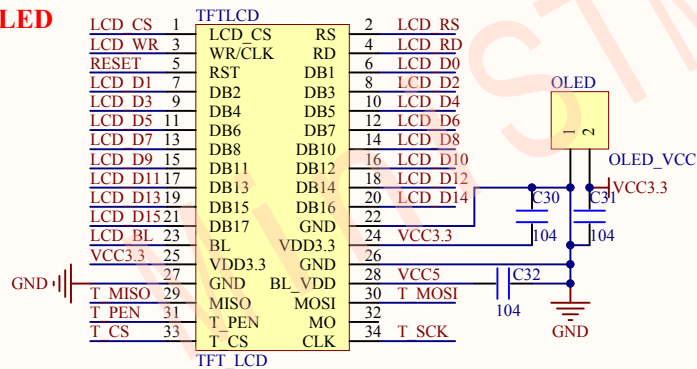
### KEY



### LED



### 2.4"/2.8"LCD/OLED



Title: ALIENTEK MiniSTM32 DEVICES	
Author: ATOM@ALIENTEK	Size: A4
Date: 2015/7/28	File: _SchDoc
Revision: 0	Version: V3.3

**ALIENTEK**

